

R2E133-BH66-05

AC centrifugal fan

backward curved



ebm-papst Mulfingen GmbH & Co. KG

Bachmühle 2 · D-74673 Mulfingen

Phone +49 7938 81-0

Fax +49 7938 81-110

info1@de.ebmpapst.com

www.ebmpapst.com

Limited partnership · Headquarters Mulfingen
County court Stuttgart · HRA 590344

General partner Elektrobau Mulfingen GmbH · Headquarters Mulfingen
County court Stuttgart · HRB 590142

Nominal data

| | | | |
|-------------------------------|-------------------|---------|---------|
| Type | R2E133-BH66-05 | | |
| Motor | M2E052-BF | | |
| Phase | | 1~ | 1~ |
| Nominal voltage | VAC | 230 | 230 |
| Frequency | Hz | 50 | 60 |
| Type of data definition | | fa | fa |
| Valid for approval / standard | | CE | CE |
| Speed | min ⁻¹ | 2800 | 3300 |
| Power input | W | 24 | 27 |
| Current draw | A | 0.11 | 0.13 |
| Motor capacitor | µF | 1 | 1 |
| Capacitor voltage | VDB | 400 | 400 |
| Capacitor standard | | P0 (CE) | P0 (CE) |
| Min. back pressure | Pa | 0 | 0 |
| Min. ambient temperature | °C | -25 | -25 |
| Max. ambient temperature | °C | 45 | 60 |
| Starting current | A | 0.20 | 0.21 |

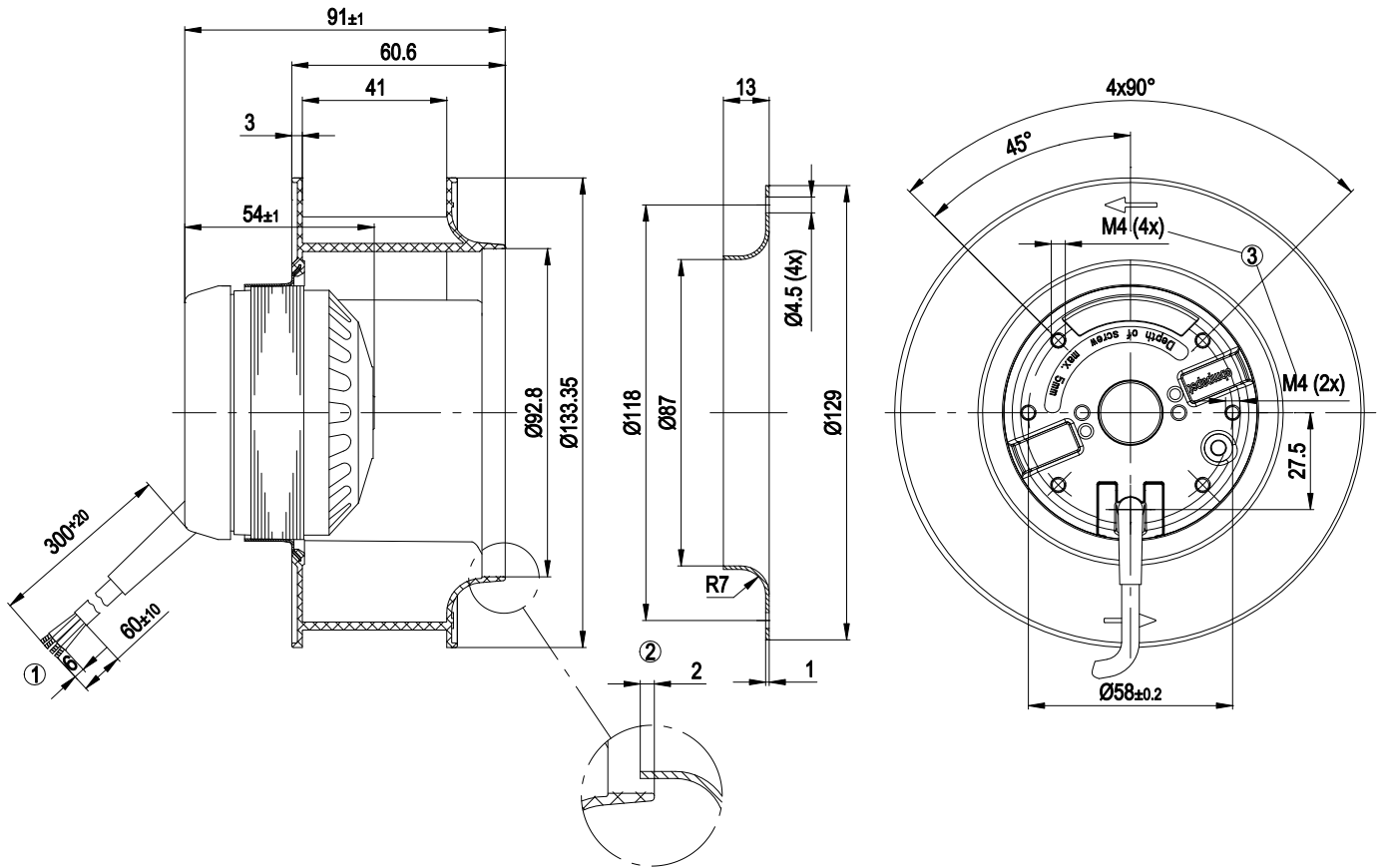
ml = max. load · me = max. efficiency · fa = running at free air · cs = customer specs · cu = customer unit
Subject to alterations



Technical features

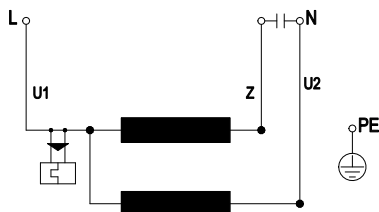
| | |
|---|---|
| Mass | 0.7 kg |
| Size | 133 mm |
| Surface of rotor | Partially cast in aluminium |
| Material of impeller | PA plastic 6, fiberglass-reinforced |
| Number of blades | 7 |
| Direction of rotation | Clockwise, seen on rotor |
| Type of protection | IP 44; Depending on installation and position |
| Insulation class | "B" |
| Max. permissible ambient motor temp. (transp./ storage) | + 80 °C |
| Min. permissible ambient motor temp. (transp./storage) | - 40 °C |
| Mounting position | Any |
| Condensate discharge holes | None |
| Operation mode | S1 |
| Motor bearing | Ball bearing |
| Touch current acc. IEC 60990 (measuring network Fig. 4, TN system) | < 0.75 mA |
| Motor protection | Thermal overload protector (TOP) wired internally |
| Cable exit | Variable |
| Protection class | I (if protective earth is connected by customer) |
| Product conforming to standard | CE |
| Approval | CCC; GOST |

Product drawing



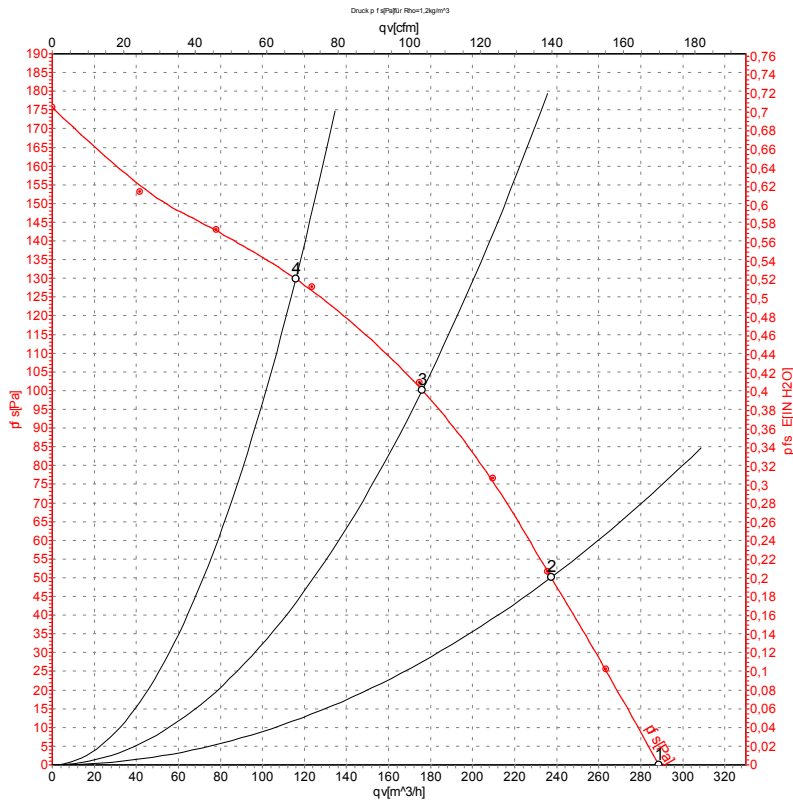
| | |
|---|---|
| 1 | Connection line PVC, 4x brass lead tips crimped |
| 2 | Accessory part: Inlet nozzle 09566-2-4013, not included in the standard scope of delivery |
| 3 | Screw depth max. 5 mm |

Connection screen



| | | | | | |
|----|--------------|---|-------|----|-------|
| U1 | blue | Z | brown | U2 | black |
| PE | green/yellow | | | | |

Charts: Air flow 50 Hz



Measurement: LU-54086

Air performance measured as per ISO 5801 Installation category A. For detailed information on the measuring set-up, please contact ebm-papst. Suction-side noise levels: LwA measured as per ISO 13347 / LpA measured with 1m distance to fan axis. The values given are valid under the measuring conditions mentioned above and may vary according to the actual installation situation. With any deviation from the standard set-up, the specific values have to be checked and reviewed with the unit installed.

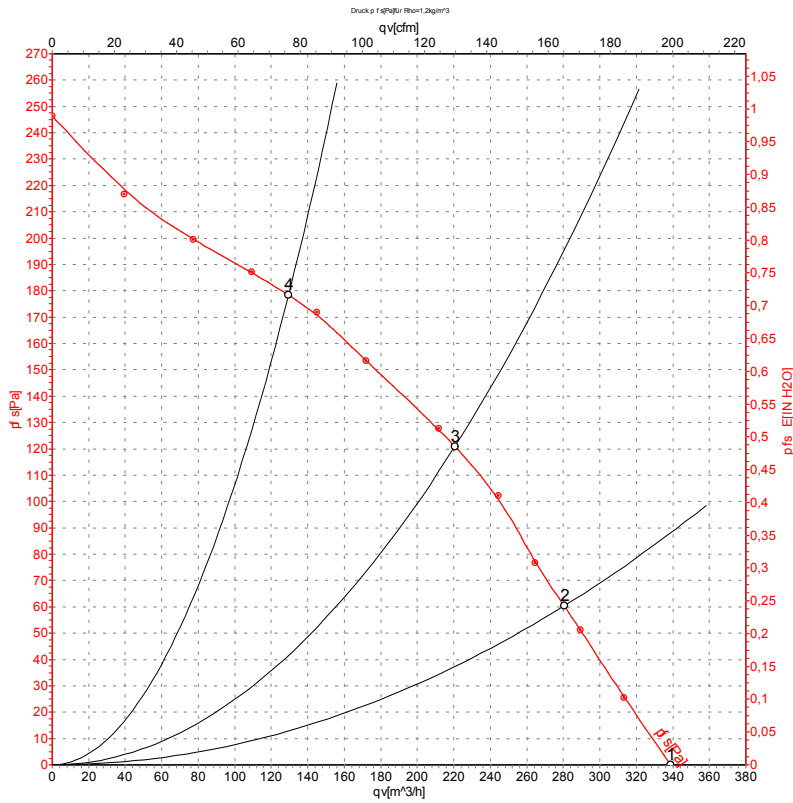
Measured values

| | U | f | n | P _e | I | qv | P _{fs} |
|---|-----|----|-------------------|----------------|------|-------------------|-----------------|
| | V | Hz | min ⁻¹ | W | A | m ³ /h | Pa |
| 1 | 230 | 50 | 2800 | 24 | 0.11 | 290 | 0 |
| 2 | 230 | 50 | 2710 | 25 | 0.11 | 235 | 50 |
| 3 | 230 | 50 | 2700 | 26 | 0.11 | 175 | 100 |
| 4 | 230 | 50 | 2710 | 26 | 0.11 | 115 | 130 |

U = Supply voltage · f = Frequency · n = Speed · P_e = Power input · I = Current draw · qv = Air flow · P_{fs} = Pressure increase



Charts: Air flow 60 Hz



Measurement: LU-54087

Air performance measured as per ISO 5801 Installation category A. For detailed information on the measuring set-up, please contact ebm-papst. Suction-side noise levels: L_{wA} measured as per ISO 13347 / L_{pA} measured with 1m distance to fan axis. The values given are valid under the measuring conditions mentioned above and may vary according to the actual installation situation. With any deviation from the standard set-up, the specific values have to be checked and reviewed with the unit installed.

Measured values

| | U | f | n | P _e | I | qv | P _{fs} |
|---|-----|----|-------------------|----------------|------|-------------------|-----------------|
| | V | Hz | min ⁻¹ | W | A | m ³ /h | Pa |
| 1 | 230 | 60 | 3300 | 27 | 0.13 | 340 | 0 |
| 2 | 230 | 60 | 3150 | 29 | 0.13 | 280 | 60 |
| 3 | 230 | 60 | 3125 | 29 | 0.13 | 220 | 120 |
| 4 | 230 | 60 | 3145 | 29 | 0.13 | 130 | 180 |

U = Supply voltage · f = Frequency · n = Speed · P_e = Power input · I = Current draw · qv = Air flow · P_{fs} = Pressure increase

